

# FIRE-RATED CEILING ACCESS HATCH

## 50 mm - 2 panels of 25 mm

### 120 MINUTES



- Aluminium-bar frame attached by «Tox» connections
  - Lip seal along the whole circumference
  - Safety pin
  - Hidden latches
  - Lockable with square lock
  - Flush mounting with plasterboard ceiling
  - Folding, removable cover
  - Plaster boards screwed GKF
- 2 x 25 mm PANELS**

120-minute fire-rated ceiling access hatches are designed to be installed in self-contained fire protection false ceilings. One of the requirements is that the «fire load is only on the room side», and the fire resistance classification is EI 120.

They offer effective protection against fire spreading in the area beneath the false ceiling. The integrated aluminium frame is fitted with a firewall. The inspection hatch cover is fitted with a DF fire-resistant panel and protected against smoke by a multi-purpose peripheral seal. The cover is secured on both sides by automatic safety mounting arms. The safety mounting arms ensure that the hatch cover is engaged each time it is opened. The cover is easy to remove and replace.

### ADVANTAGES

Access hatch for false ceilings with fire protection on the room side only, when fire protection is not required in the ceiling cavity.

### APPLICATION SPECIFICATIONS

- Fit to the ceiling (do not walk on it).
- Customised dimensions on request, up to the maximum dimensions allowed by the report.

### CERTIFICATION

- CSTB Fire-report no. RS-19-067 (2 x 25 mm).

### MOUNTING AND FIXING

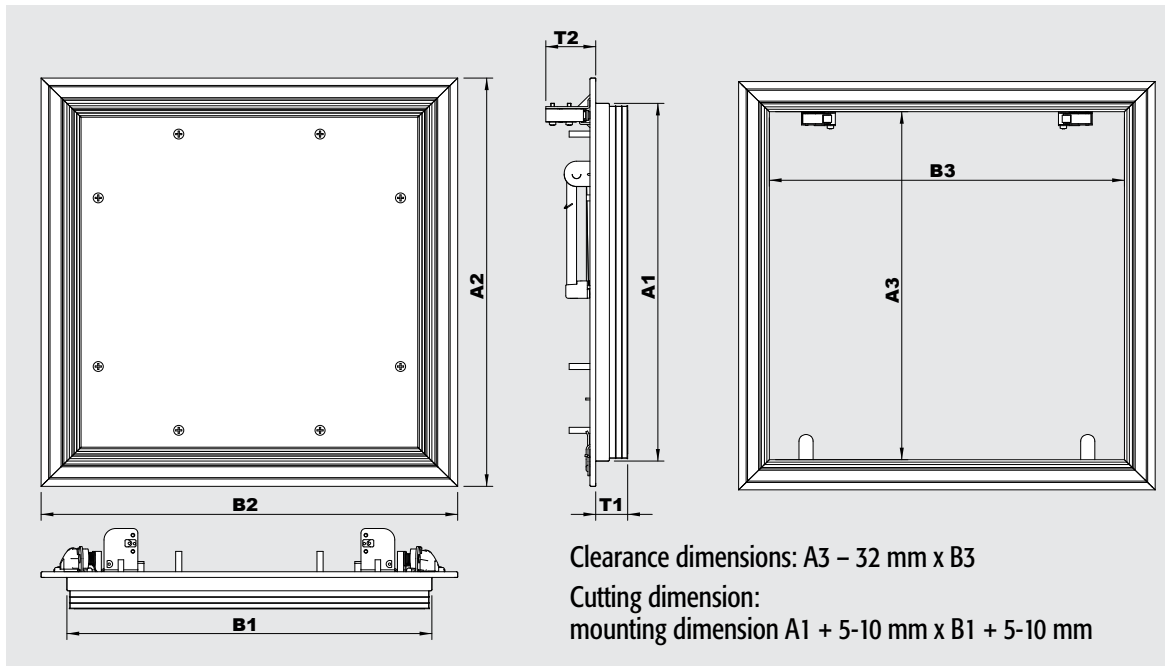
The integrated frame can be easily mounted into the ceiling cavity (about 5-10 mm larger than the installation dimensions).

Screw through the plasterboard ceiling and the aluminium frame using integrated dry wall screws. Affix the protective caps. Coat everything and attach the cover.



Fire resistance tested from below (room side)  
**NF EN 1634-1 : +A1 : 2018**

## MOUNTING AND FIXING



## SIZES AND REFERENCES

### 2 x 25 mm PANELS EI 120 Certificate

DIMENSIONS IN MM A x B (V)	CLEAR OPENING A1 x B1	LENGTH X WIDTH A2 x B2	INTERIOR DIMENSIONS A3 x B3	WIDTH T1	DEPTH T2	WEIGHT IN KG	REFERENCE
<b>300 x 300</b>	301 x 301	354 x 354	287 x 287	51,5	20	8,10	A10277
<b>400 x 400*</b>	401 x 401	454 x 454	387 x 387	51,5	20	13,20	A10278
<b>500 x 500</b>	501 x 501	554 x 554	487 x 487	51,5	20	19,20	A10279
<b>600 x 600*</b>	601 x 601	654 x 654	587 x 587	51,5	20	25,80	A10280
<b>800 x 800</b>	801 x 801	854 x 854	787 x 787	51,5	20	44	A10281

Dimensions in mm, (V) = closing side.

**\*Access panels in stock.**

Products not stocked – 3/4 weeks delivery time.

**All reports must be validated  
 by your inspection office  
 prior to any order.**