

FIRE-RATED CEILING ACCESS HATCH

30 mm - 2 panels of 15 mm

36 mm - 2 panels of 18 mm

60 MINUTES



AVAILABLE
CUSTOM MADE



- Aluminium-bar frame attached by «Tox» connections
- Intumescent seal protecting against gas, smoke and flames in case of fire
- Safety pin
- Hidden latches
- Quick and easy to install
- Push-release opening
- Plaster boards screwed GKF

2 x 15 mm PANELS

or

2 x 18 mm PANELS

60-minute fire-rated ceiling access hatches are designed to be installed in self-contained fire protection false ceilings. One of the requirements is that the «fire load is only on the room side», and the fire resistance classification is EI 60.

They offer effective protection against fire spreading in the area beneath the false ceiling. The integrated aluminium frame is fitted with a firewall. The inspection hatch cover is fitted with a DF fire-resistant panel and protected against smoke by a multi-purpose peripheral seal. The cover is secured on both sides by automatic safety mounting arms. The safety mounting arms ensure that the hatch cover is engaged each time it is opened. The cover is easy to remove and replace.

APPLICATION SPECIFICATIONS

- Fit to the ceiling (do not walk on it).
- Customised dimensions on request, up to the maximum dimensions allowed by the report.

CERTIFICATION

- CSTB Fire-report no. RS-20-054 + EXT 20.168C (2 x 15 mm).
- CSTB Fire-report no. RS-20-054 + EXT 20.168C (2 x 18 mm).

MOUNTING AND FIXING

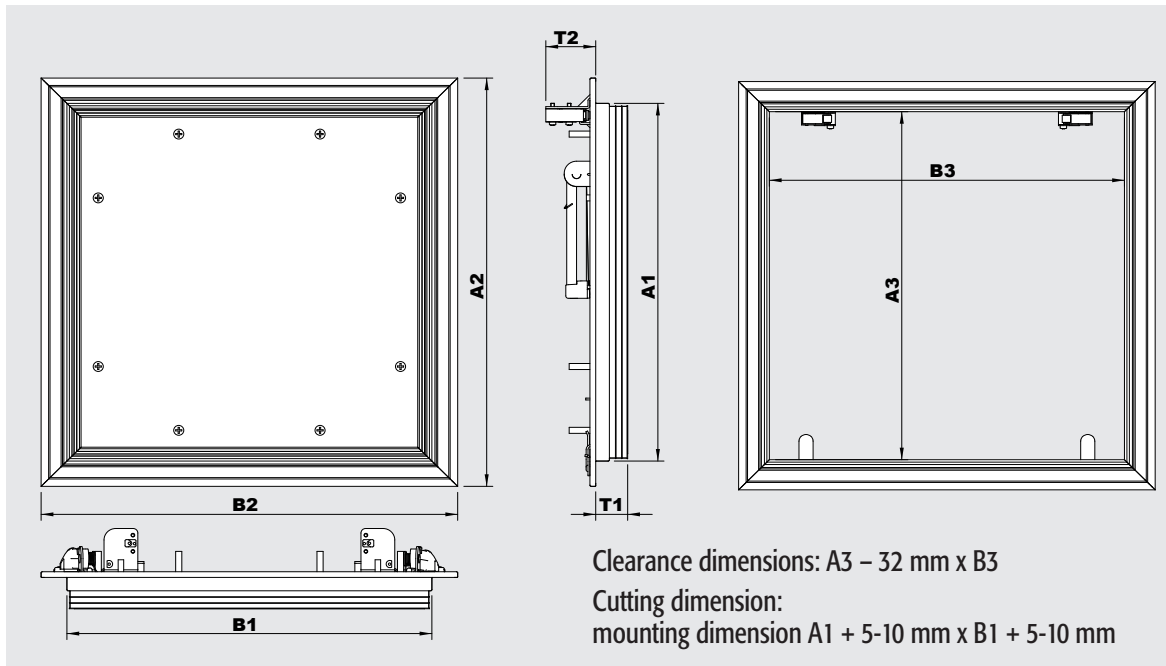
The integrated frame can be easily mounted into the ceiling cavity (about 5-10 mm larger than the installation dimensions).

Screw through the plasterboard ceiling and the aluminium frame using integrated dry wall screws. Affix the protective caps. Coat everything and attach the cover.



Fire resistance tested from below
(room side)
NF EN 1634-1 : +A1 : 2018

MOUNTING AND FIXING



SIZES AND REFERENCES

2 x 15 mm PANELS

EI 60 Certificate



SQUARE LOCKING SYSTEM OR LETTER BOX LOCKING SYSTEM ON REQUEST



DIMENSIONS IN MM A x B (V)	CLEAR OPENING A1 x B1	SIZE FRAME FITTING A2 x B2	SIZE REQUIRED INTERNAL A3 x B3	WIDTH T1	DEPTH T2	RÉFÉRENCE
300 x 300*	297 x 297	339 x 339	289 x 289	31	41	A09517
400 x 400*	397 x 397	439 x 439	389 x 389	31	41	A09518
500 x 500	497 x 497	539 x 539	489 x 489	31	41	A09519
600 x 600*	597 x 597	639 x 639	589 x 589	31	41	A09520
600 x 800	597 x 797	639 x 839	589 x 789	31	41	A09521
800 x 800	797 x 797	839 x 839	789 x 789	31	41	A09522

Dimensions in mm, (V) = closing side.

*Access panels in stock.

Products not stocked – 3/4 weeks delivery time

2 x 18 mm PANELS

EI 60 Certificate



SQUARE LOCKING SYSTEM OR LETTER BOX LOCKING SYSTEM ON REQUEST



DIMENSIONS IN MM A x B (V)	CLEAR OPENING A1 x B1	SIZE FRAME FITTING A2 x B2	SIZE REQUIRED INTERNAL A3 x B3	WIDTH T1	DEPTH T2	REFERENCE
300 x 300*	297 x 297	339 x 339	289 x 289	37,5	41	A10441
400 x 400*	397 x 397	439 x 439	389 x 389	37,5	41	A10442
500 x 500*	497 x 497	539 x 539	489 x 489	37,5	41	A10443
600 x 600*	597 x 597	639 x 639	589 x 589	37,5	41	A10444
600 x 800*	597 x 797	639 x 839	589 x 789	37,5	41	A10445
800 x 800*	797 x 797	839 x 839	789 x 789	37,5	41	A10446

Dimensions in mm, (V) = closing side.

*Access panels in stock.

Products not stocked – 3/4 weeks delivery time

